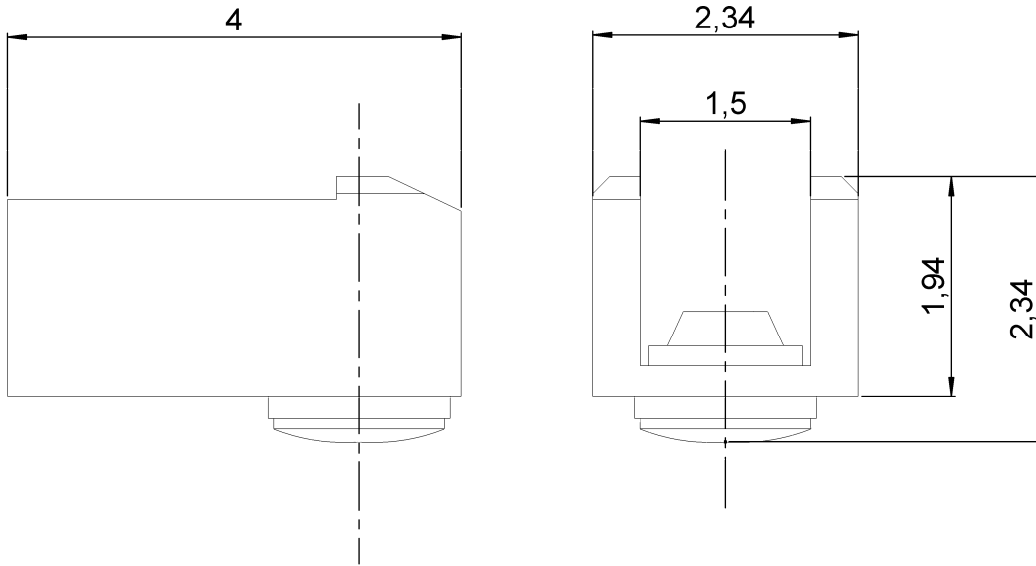


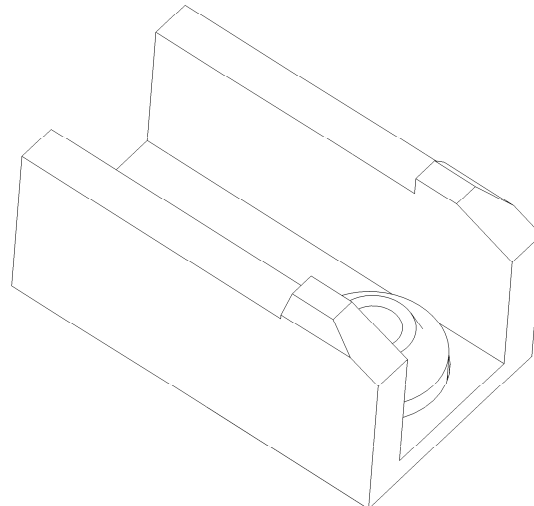
RIGHT ANGLE PLUG H2.6 LOCK NON MAGNETIC
TYPE CABLE 2/50S

R107.101.297

Series : UMP

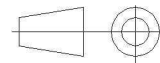


NON-MAGNETIC



Scale : 1/1

All dimensions are in mm.



COMPONENTS	MATERIALS	PLATING (µm)
BODY	CuBe2	GBR 2
CENTER CONTACT	CuBe2	GOLD 1.3 OVER COPPER 2.5
OUTER CONTACT	-	-
INSULATOR	PTFE	-
GASKET	-	-
OTHERS PARTS	-	-
-	-	-
-	-	-

Issue : 0629 A

In the effort to improve our products, we reserve the right to make changes judged to be necessary.



**RIGHT ANGLE PLUG H2.6 LOCK NON MAGNETIC
TYPE CABLE 2/50S**

R107.101.297

Series : UMP

PACKAGING

Standard	Unit	Other
1000	'W' option	Contact us

SPECIFICATION

PAQP-VOR-017

ELECTRICAL CHARACTERISTICS

Impedance	50	Ω
Frequency	0-6	GHz
VSWR	1.05* + 0,0300	x F(GHz) Maxi
Insertion loss	0.2	\sqrt{F} (GHz) dB Maxi
RF leakage	40*	- F(GHz)) dB Maxi
Voltage rating	100	Veff Maxi
Dielectric withstanding voltage	350	Veff mini
Insulation resistance	1000	M Ω mini

CABLE ASSEMBLY

Stripping	a	b	c	d	e	f
mm	1,20	1,50	3,50	0,00	2,30	0,00

Assembly instruction :

Recommended cable(s)
111258 FTX

Characteristics indicated on this data sheet are those that can be achieved with the highest performance cable. Intrinsic limitations of the cable may diminish the performance of the assembly

Cable retention

- pull off	20	N mini
- torque	NA	N.cm

MECHANICAL CHARACTERISTICS

Center contact retention		
Axial force – Mating end	NA	N mini
Axial force – Opposite end	NA	N mini
Torque	NA	N.cm mini

TOOLING

Part Number	Description	Hexagon
.	.	.

Recommended torque		
Mating	NA	N.cm
Panel nut	NA	N.cm
Clamp nut	NA	N.cm
A/F clamp nut	0,0000	mm

Mating life	100	Cycles mini
Weight	0,0700	g

OTHER CHARACTERISTICS

*at 2 GHzCon. with R107.103.087&097&097W
Magnetic field distorsion
<0.5 ppm at 10mm at Bo=1.5 Tesla

ENVIRONMENTAL

Operating temperature	-40/+90	$^{\circ}$ C
Hermetic seal	NA	Atm.cm3/s
Panel leakage	NA	

Issue : 0629 A

In the effort to improve our products, we reserve the right to make changes judged to be necessary.



RADIALL®

RIGHT ANGLE PLUG H2.6 LOCK NON MAGNETIC

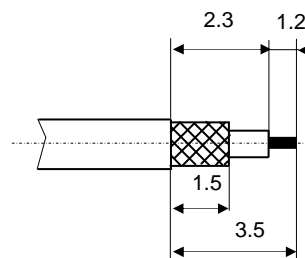
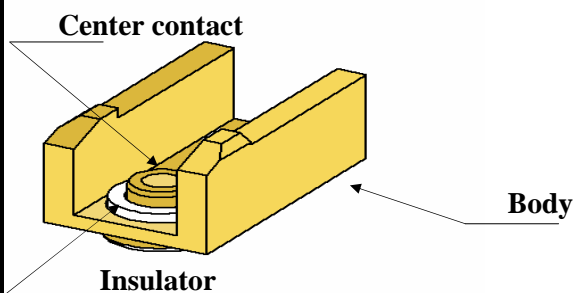
R107.101.297

TYPE CABLE 2/50S

Series : UMP

COMPONENTS

CABLE stripping : ± 0.2 mm



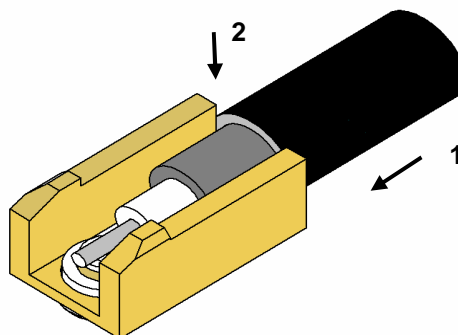
1

Strip the cable in accordance with instructions



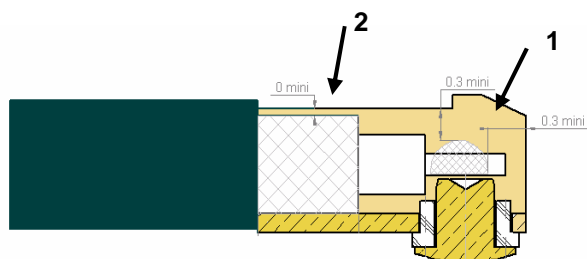
2

Put the câble on the connector.
Push the câble outer jacket against body.



3

Brase the cable inner conductor on the center contact .
Brase the outer conductor on the body .



Issue : 0629 A

In the effort to improve our products, we reserve the right to make changes judged to be necessary.

